



Three Phase Squirrel Cage Induction Motor

Motor type TA2-71M2-4 B14

Electrical Data

RATED VALUES							STARTING VALUES				BREAKDOWN	EFFICIENCY			EFFICIENCY CLASS	
VOLTAGE	POWER		SPEED	CURRENT		TORQUE	Cos ϕ	CURRENT		TORQUE		TORQUE	%			IEC 60034-30-1
	V	kW	Hz	rpm	A	Nm		4/4	I_A / I_N	M_A / M_N	Mk/ Mn		4/4	3/4	2/4	
230/400	0,37	50	1425	1,9/1,1	2,50	0,71	4,6	-	2,6	-	3,8	IE2-72,7%	73,1	72	IE2	
265/460	0,43	60	1720	1,8/1,04	2,40	0,72	4,4	-	2,3	-	3,7	-	-	-		

Mechanical Data

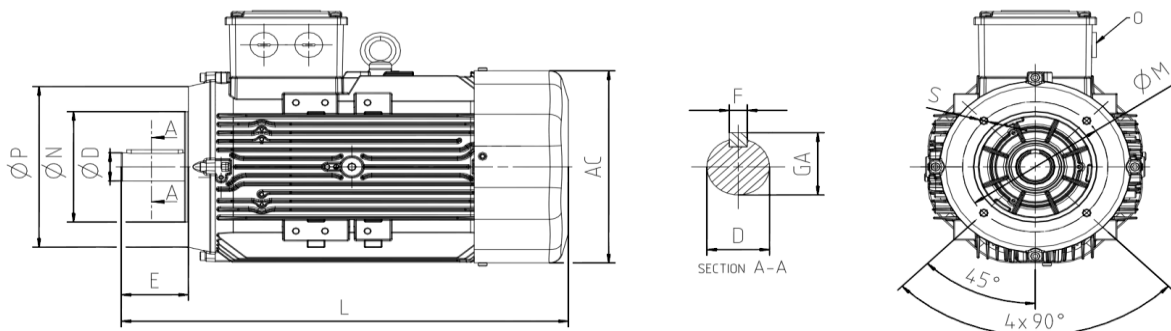
Bearing DE	6202-ZZ	Color	RAL 7030
Bearing NDE	6202-ZZ	Motor protection	No
Lubricants	Shell Gadus S2 V100Q2	Method of cooling	IC 411
Condensation drain hole	No	Terminal box position	Top
External earthing terminal	Yes	Material of terminal box	Aluminium
Vibration class	A	Terminal plate thread	M4
Insulation Class	F	Cable gland	1xM20
Duty type	S1	Clamping range	10-14 mm
Direction of rotation	Clockwise	Mounting type	IM 3601 (B14-A)
Housing material	Aluminium		
Type of balancing	Half Key		

Environmental Data

Others

Ambient Temperature	-20 / + 40 °C	Type of protection	IP 55
Altitude above sea level	1000 m	Sound Pressure Level 50/60Hz	dBA 45/48
		Inertia moment (kg.mm ²)	0,00095
		Standard	IEC 60034-1
		Weigh (Kg)	9

Dimensions



Main Dimensions		Foot Mounted Motors							Shaft				Flange Mounted Motors			
AC	L	B	A	H	HD	K	C	D	E	GA	F	P	N	M	S	
138	253	-	-	-	-	-	0	14	30	16	5	105	70	85	M6	