



Three Phase Squirrel Cage Induction Motor

Motor type TA2-63M2-4 B3

Electrical Data

RATED VALUES						STARTING VALUES				BREAKDOWN	EFFICIENCY			EFFICIENCY CLASS	
VOLTAGE	POWER		SPEED	CURRENT		TORQUE	Cos ϕ	CURRENT		TORQUE	TORQUE	%			IEC 60034-30-1
	V	kW	Hz	rpm	A	Nm	4/4	I_A / I_N	M_A / M_N	Mk/ Mn		4/4	3/4	2/4	
230/400	0,18	50	1400	1,15/0,67	1,24	0,66	3,7	-	2,7	-	3,0	IE2-64,7%	60	51,3	IE2
265/460	0,21	60	1655	1,19/0,69	1,19	0,61	3,6	-	2,6	-	3,0	0	0	0	

Mechanical Data

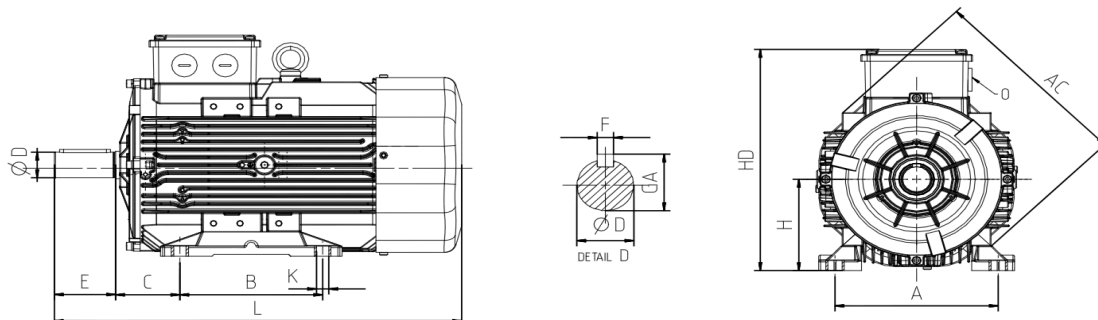
Bearing DE	6201-ZZ	Color	RAL 7030
Bearing NDE	6201-ZZ	Motor protection	No
Lubricants	Shell Gadus S2 V100Q2	Method of cooling	IC 411
Condensation drain hole	No	Terminal box position	Top
External earthing terminal	Yes	Material of terminal box	Aluminium
Vibration class	A	Terminal plate thread	M4
Insulation Class	F	Cable gland	1xM20
Duty type	S1	Clamping range	10-14 mm
Direction of rotation	Clockwise	Mounting type	IM 1001 (B3)
Housing material	Aluminium		
Type of balancing	Half Key		

Environmental Data

Others

Ambient Temperature	-20 / + 40 °C	Type of protection	IP 55
Altitude above sea level	1000 m	Sound Pressure Level 50/60Hz	dBA 41/44
		Inertia moment (kg.mm ²)	0,00026
		Standard	IEC 60034-1
		Weigh (Kg)	5,5

Dimensions



Main Dimensions		Foot Mounted Motors					Shaft					Flange Mounted Motors			
AC	L	B	A	H	HD	K	C	D	E	GA	F	P	N	M	S
123	220	80	100	63	162	7	40	11	23	12,5	4	-	-	-	-