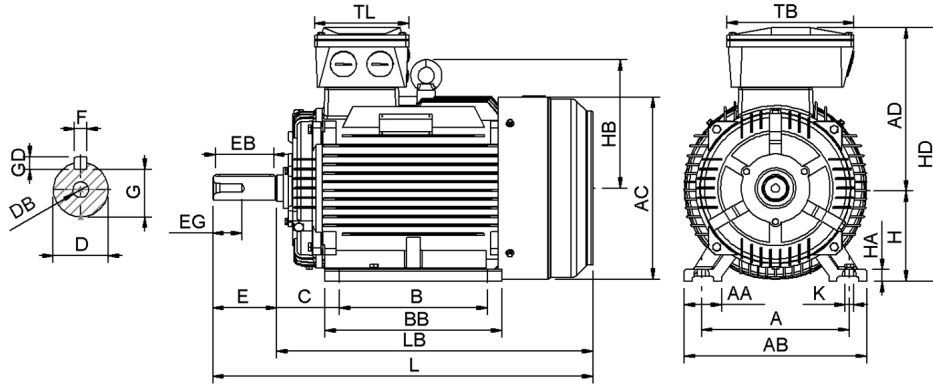


# Data Sheet

Itemnumber....: 5542250100



A = 356	AC = 445	BB = 369	DB = M20	EG = 56	GD = 11	HB = 285	L = 823	TL = 192
AA = 75	AD = 336	C = 149	E = 140	F = 18	H = 225	HD = 561	LB = 683	
AB = 431	B = 286	D = 60	EB = 130	G = 53	HA = 28	K = 18,50	TB = 260	

**Version**

Type.....: HMC3 225S-4  
 Design.....: Induction motor  
 Standard series.....: IEC 60034  
 Phase / Voltage range.....: 3~ / Low

**Electrical design**

Efficiency.....: IE3  
 Pole.....: 4  
 Power at 50 Hz (kW).....: 37,0  
 Hz.....: 50  
 Voltage.....: 400VD/690VY  
 Winding voltage.....: 400VD/690VY 50 Hz  
 Power output (kW).....: 37,0  
 Duty.....: S1  
 Insulation class.....: F  
 Temperature rise.....: B

**Mechanical design**

Frame size.....: 225  
 Mounting.....: B3  
 Rain cap.....: No  
 Protection class.....: IP55  
 Cooling method.....: IC411/TEFC  
 External grounding.....: Yes  
 Drain hole.....: Yes  
 Frame material.....: Cast Iron  
 Material approval.....: None  
 Shaft.....: IEC standard  
 Key.....: Closed key  
 Balancing.....: Half key balancing  
 Vibration class.....: Grade-A  
 Weight (kg).....: 308

**Bearing**

DE Bearing.....: 6313/C3  
 NDE Bearing.....: 6312/C3  
 Fixed bearing.....: DE

**Terminal box**

Tbox position.....: Top  
 Cable entry direction.....: Right (from DE)  
 Cable entry  
 Main.....: 2 x M50x1,5  
 Plastic blindcaps  
 Accessory.....: 2 x M20x1,5  
 Plastic blindcaps  
 Terminal board thread.....: 6-M8

**Environment condition**

Ambient temp. min. (°C)..: -20  
 Ambient temp. max. (°C)..: 40  
 Altitude (mtr up to).....: 1000

**Test values**

Rotor inertia (kgm²).....: 0,61  
 Noise level (dB(A)).....: 73  
 No load current (A).....: 22,4  
 Winding resist. (ohm).....: 0,16  
 Starting time (sec.).....: 0,15  
 Temp. rise winding (K).....: 59  
 Temp. rise surface (K).....: 42

**Motor protection**

Thermal protection main....: PTC 3x 155 dgr  
 Thermal protection second..: None  
 Space heater.....: None  
 Temperature detector.....: No  
 SPM.....: No  
 IR wire.....: No  
 Tropical insulation.....: No

**Explosion protection**

According to.....: None  
 Type of protection.....: None

**General**

Direction of rotation.....: CW  
 Painting.....: RAL 9005  
 Nameplate.....: Multivoltage  
 Special packing.....: No  
 Special requirements.....: No

Rated power (kW) . . . . .	37,0	36,0	44,5	43,0
Frequency (Hz) . . . . .	50	50	60	60
Voltage (V) . . . . .	400 690	380 660	480 830	440
Connection . . . . .	D Y	D Y	D Y	D
Full load current (A) . . . . .	66,0 38,5	68,0 39,5	66,0 38,5	68,0
Speed (rpm) . . . . .	1480	1480	1780	1780
Power factor cos(phi) . . . . .	0,86	0,87	0,86	0,88
Efficiency, 100/75/50 (%) . . . . .	93,9/ 94,2 /93,8	93,9/ 94,2 /93,8	93,9/ 94,2 /93,8	93,5/ 93,8 /93,4
Ist/In . . . . .	7,90	6,95	7,90	7,25
Full load torque (Nm) . . . . .	238	232	238	232
Tst/Tn . . . . .	3,05	2,85	3,05	2,65
Tmax/Tn . . . . .	3,30	3,10	3,30	2,90
Duty . . . . .	S1	S1	S1	S1
Ambient temp. (°C) . . . . .	40	45	40	45