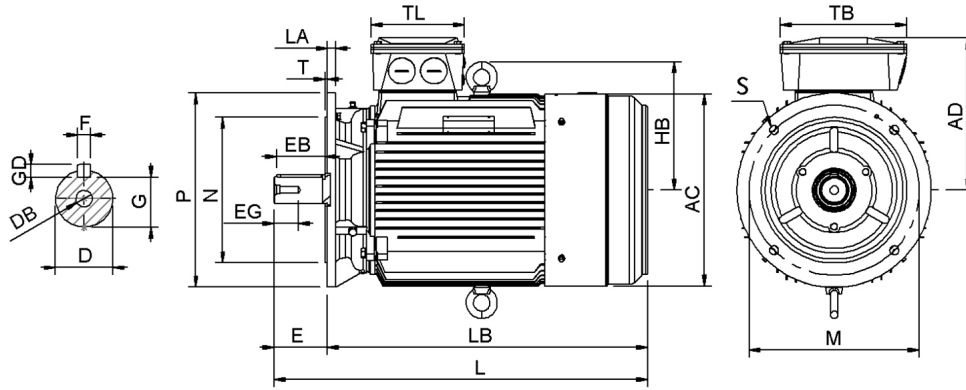


Data Sheet

Itemnumber....: 5522000200



AC = 396	DB = M20	EG = 50	GD = 10	LA = 17	N = 300	T = 5
AD = 313	E = 110	F = 16	HB = 264	LB = 659	P = 400	TB = 260
D = 55	EB = 100	G = 49	L = 769	M = 350	S = 4-Ø18,5	TL = 192

Version

Type.....: HMC3 200L1-2
 Design.....: Induction motor
 Standard series.....: IEC 60034
 Phase / Voltage range.....: 3~ / Low

Electrical design

Efficiency.....: IE3
 Pole.....: 2
 Power at 50 Hz (kW).....: 30,0
 Hz.....: 50
 Voltage.....: 400VD/690VY
 Winding voltage.....: 400VD/690VY 50 Hz
 Power output (kW).....: 30,0
 Duty.....: S1
 Insulation class.....: F
 Temperature rise.....: B

Motor protection

Thermal protection main.....: PTC 3x 155 dgr
 Thermal protection second..: None
 Space heater.....: None
 Temperature detector.....: No
 SPM.....: No
 IR wire.....: No
 Tropical insulation.....: No

Explosion protection

According to.....: None
 Type of protection.....: None

General

Direction of rotation.....: CW
 Painting.....: RAL 9005
 Nameplate.....: Multivoltage
 Special packing.....: No
 Special requirements.....: No

Mechanical design

Frame size.....: 200
 Mounting.....: B5
 Rain cap.....: No
 Protection class.....: IP55
 Cooling method.....: IC411/TEFC
 External grounding.....: Yes
 Drain hole.....: Yes
 Frame material.....: Cast Iron
 Material approval.....: None
 Shaft.....: IEC standard
 Key.....: Closed key
 Balancing.....: Half key balancing
 Vibration class.....: Grade-A
 Weight (kg).....: 241

Environment condition

Ambient temp. min. (°C)..: -20
 Ambient temp. max. (°C)..: 40
 Altitude (mtr up to).....: 1000

Bearing

DE Bearing.....: 6312/C3
 NDE Bearing.....: 6312/C3
 Fixed bearing.....: DE

Terminal box

Tbox position.....: Top
 Cable entry direction.....: Right (from DE)
 Cable entry
 Main.....: 2 x M50x1,5
 Plastic blindcaps
 Accessory.....: 2 x M20x1,5
 Plastic blindcaps
 Terminal board thread.....: 6-M8

Test values

Rotor inertia (kgm²).....: 0,18
 Noise level (dB(A)).....: 81
 No load current (A).....: 13,4
 Winding resist. (ohm).....: 0,19
 Starting time (sec.).....: 0,24
 Temp. rise winding (K).....: 51
 Temp. rise surface (K).....: 31

Rated power (kW)	30,0	29,0	36,0	35,0
Frequency (Hz)	50	50	60	60
Voltage (V)	400 690	380 660	480 830	440
Connection	D Y	D Y	D Y	D
Full load current (A)	51,0 29,5	52,5 30,5	51,0 29,5	52,5
Speed (rpm)	2970	2970	3550	3550
Power factor cos(phi)	0,91	0,92	0,91	0,92
Efficiency, 100/75/50 (%)	93,3/ 93,5 /92,1	93,3/ 93,5 /92,1	93,3/ 93,5 /92,1	92,8/ 93,1 /91,5
Ist/In	8,55	7,50	8,55	7,85
Full load torque (Nm)	96,5	93,5	96,5	93,5
Tst/Tn	2,90	2,70	2,90	2,50
Tmax/Tn	3,05	2,80	3,05	2,60
Duty	S1	S1	S1	S1
Ambient temp. (°C)	40	45	40	45